





# Product Specification

(Household Appliances and Industrial control)

**Product Name: VGM088112A0W04**

**Product Code: M02093**

<b>Customer</b>
<b>Approved by Customer</b>
<b>Approved Date:</b>

Designed By	Checked By	Approved By	
		R&D	QA
			

---

**CONTENT**

<b>REVISION RECORD</b> .....	<b>3</b>
<b>1 APPLICATION FILED</b> .....	<b>4</b>
<b>2 OVERVIEW</b> .....	<b>4</b>
<b>3 FEATURES</b> .....	<b>4</b>
<b>4 MECHANICAL DATA</b> .....	<b>4</b>
<b>5 MECHANICAL DRAWING</b> .....	<b>5</b>
<b>6 MODULE INTERFACE</b> .....	<b>6</b>
<b>7 FUNCTION BLOCK DIAGRAM</b> .....	<b>7</b>
<b>8 ABSOLUTE MAXIMUM RATINGS</b> .....	<b>8</b>
<b>9 ELECTRICAL CHARACTERISTICS</b> .....	<b>8</b>
9.1 DC ELECTRICAL CHARACTERISTICS .....	8
9.2 ELECTRO-OPTICAL CHARACTERISTICS .....	9
9.3 AC ELECTRICAL CHARACTERISTICS .....	10
<b>10 FUNCTIONAL SPECIFICATION AND APPLICATION CIRCUIT</b> .....	<b>12</b>
10.1 POWER ON/OFF SEQUENCE AND INITIALIZATION .....	12
10.2 APPLICATION CIRCUIT.....	14
10.3 EXTERNAL DC-DC APPLICATION CIRCUIT .....	16
10.4 DISPLAY CONTROL INSTRUCTION.....	17
10.5 RECOMMENDED SOFTWARE INITIALIZATION .....	17
<b>11 PACKAGE SPECIFICATION</b> .....	<b>18</b>
<b>12 RELIABILITY</b> .....	<b>19</b>
12.1 RELIABILITY TEST .....	19
12.2 LIFETIME.....	19
12.3 FAILURE CHECK STANDARD .....	19
<b>13 ILLUSTRATION OF OLED PRODUCT NAME</b> .....	<b>20</b>
<b>14 OUTGOING QUALITY CONTROL SPECIFICATIONS</b> .....	<b>21</b>
14.1 SAMPLING METHOD .....	21
14.2 INSPECTION CONDITIONS .....	21
14.3 QUALITY ASSURANCE ZONES.....	21
14.4 INSPECTION STANDARD.....	22
<b>15 PRECAUTIONS FOR OPERATION AND STORAGE</b> .....	<b>25</b>
15.1 PRECAUTIONS FOR OPERATION .....	25
15.2 SOLDERING .....	25
15.3 PRECAUTIONS FOR STORAGE.....	25
15.4 WARRANTY PERIOD .....	25



## 1 Application filed

Household Appliances and Industrial control

## 2 Overview

VGM088112A0W04 is a monochrome OLED display module with 88×112 dot matrix. The characteristics of this display module are high brightness, self-emission, high contrast ratio, slim/thin outline, wide viewing angle, wide temperature range, and low power consumption.

## 3 Features

- Display Color: White
- Dot Matrix:88×112
- Driver IC: SH1107
- Interface: 4-wire SPI、I<sup>2</sup>C
- Wide range of operating temperature: -40°C to 70°C
- Wide range of Storage temperature: -40°C to 85°C

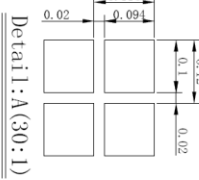
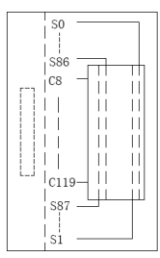
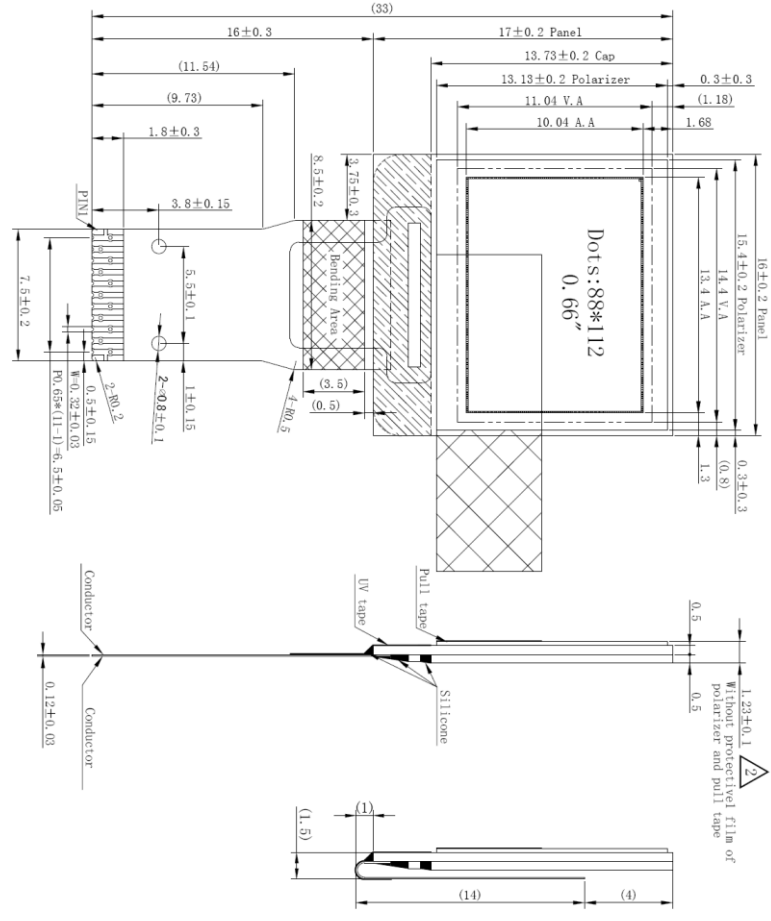
## 4 Mechanical Data

NO.	ITEM	SPECIFICATION	UNIT
1	Dot Matrix	88(W)×112(H)	-
2	Dot Size	0.1 (W)×0.094(H)	mm <sup>2</sup>
3	Dot Pitch	0.12(W)×0.114(H)	mm <sup>2</sup>
4	Aperture Rate	68.7	%
5	Active Area	13.4(W)×10.04(H)	mm <sup>2</sup>
6	Panel Size	16(W) ×17(H) × 1.0(T)	mm <sup>3</sup>
7	Module Size	16(W) ×33(H) × 1.23(T)	mm <sup>3</sup>
8	Diagonal A/A Size	0.66	inch
9	Module Weight	TBD±10%	gram

### 5 Mechanical Drawing

如本印章非红色，则表明该文件为非受控版本，不会受到控制和更新，请使用受控文件。  
分发出：

受控章



- Specification
1. Display: OLED (White)
  2. Format: 88\*112
  3. Driver IC: SH1107
  4. General Tolerance: ±0.3
  5. Operate temp: -40°C~70°C
  6. Storage temp: -40°C~85°C
  7. DUTY: 1/112
  7. HSF Compliant

Customer Approval Signature		Part Name Module ass'y	Date 2018.04.02	Rev. 02	Unit mm	Sheet 1/1
Project Code Part No.		M02093 M02093-MA1-A	DES' D BY CHK' D BY	CHK' D BY	CHK' D BY	APPROVED
			张丽 2018.04.02	施伟 2018.04.02	刘云 2018.04.02	李高敏 2018.04.02

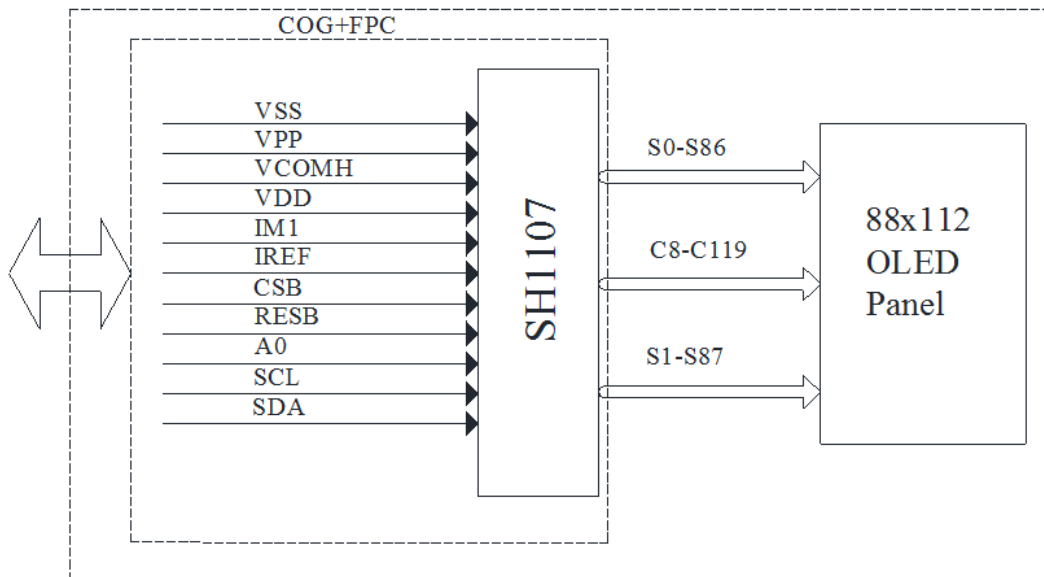
Pin Assignment	NO.	SYMBOL
	1	VSS
	2	VPP
	3	VCOMH
	4	VDD
	5	IM1
	6	IREF
	7	CSB
	8	RESB
	9	A0
	10	SCL
	11	SDA

Rev.	Date	Note
1	2018.03.29	Primary
2	2018.04.02	Modify the Polarizer Thickness

## 6 Module Interface

PIN NO.	PIN NAME	DESCRIPTION
1	VSS	Ground
2	VPP	Power supply for panel driving voltage.
3	VCOMH	This is a pad for the voltage output high level for common signals. A capacitor should be connected between this pad and VSS.
4	VDD	Power supply pin for core logic operation.
5	IM1	H: I <sup>2</sup> C; L:SPI
6	IREF	This pin is the segment output current reference pin. A resistor should be connected between this pin and VSS.
7	CSB	This pin is the chip select input connecting to the MCU. When I <sup>2</sup> C this pin Pull Low.
8	RESB	This pin is reset signal input.
9	A0	H: DATA ; L:command. In I <sup>2</sup> C interface, this pad serves as SA0 to distinguish the different address of OLED driver.
10	SCL	The serial clock input pin.
11	SDA	The serial data input pin.

## 7 Function Block Diagram



## 8 Absolute Maximum Ratings

ITEM	SYMBOL	MIN	MAX	UNIT	REMARK
Supply voltage	VDD	-0.3	3.6	V	IC maximum rating
	VPP	-0.3	17.0	V	IC maximum rating
Operating Temp.	Top	-40	70	°C	-
Storage Temp	Tstg	-40	85	°C	-

Note (1): All of the voltages are on the basis of “VSS = 0V”.

Note (2): Permanent breakage of module may occur if the module is used beyond the maximum rating. The module can be normal operated under the conditions according to Section 9 “Electrical Characteristics”. Malfunctioning of the module may occur and the reliability of the module may deteriorate if the module is used beyond the conditions.

## 9 Electrical Characteristics

### 9.1 DC Electrical Characteristics

ITEM	SYMBOL	TEST CONDITION	MIN	TYP	MAX	UNIT
Operating Voltage	VPP	-	10.5	11	11.5	V
Logic Supply Voltage	VDD	-	1.65	3.3	3.5	V
High-level Output voltage	V <sub>OHC</sub>	I <sub>oH</sub> =-0.5mA(SDA, SCL)	0.8 × VDD	-	VDD	V
Low-level Output voltage	V <sub>OLC</sub>	I <sub>oL</sub> =0.5mA(SDA, SCL)	VSS	-	0.2 × VDD	V
High Logic Input voltage	V <sub>IHC</sub>	SDA, SCL and RES#.	0.8 × VDD	-	VDD	V
Low Logic Input voltage	V <sub>ILC</sub>		VSS	-	0.2 × VDD	V



## 9.2 Electro-optical Characteristics

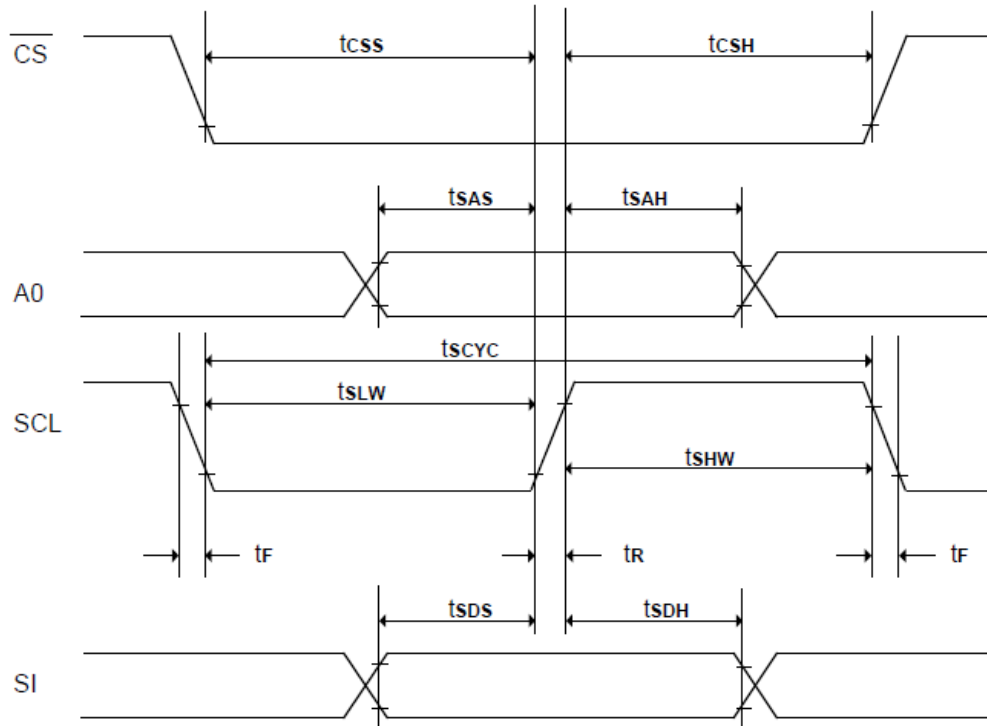
ITEM	SYMBOL	TEST CONDITION	MIN	TYP	MAX	UNIT
Normal Mode Brightness	L <sub>br</sub>	All pixels ON(1)	160	200	-	cd/m <sup>2</sup>
VDD Sleep mode Current	ISP_VDD	During sleep, VDD=3.0V, Display OFF, No panel attached	-	0.02	10	uA
VPP Sleep mode Current	ISP_VPP	During sleep, TA = +25°C, VPP = 15V (External )	-	0.02	10	uA
Normal Mode Power Consumption	Pt	All pixels ON(1)	-	198	258.5	mW
C.I.E(White)	(x)	x,y(CIE1931)	0.26	0.30	0.34	-
	(y)		0.29	0.33	0.37	-
Dark Room Contrast	CR	-	≥2000:1	-	-	-
Response Time	-	-	-	10	-	μ s
View Angle	-	-	≥160	-	-	Degree

Note(1): Normal Mode test conditions are as follows:

- Driving voltage : 11V
- Contrast setting : 0XC0
- Frame rate : 104Hz
- Duty setting : 1/112

### 9.3 AC Electrical Characteristics

#### (1).System buses Write characteristics (For 4 wire SPI)



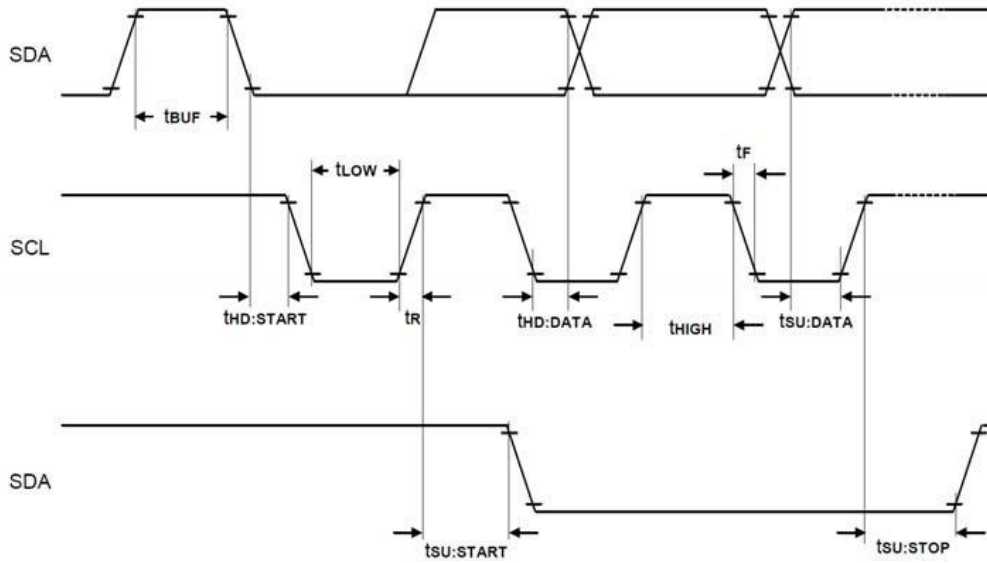
(VDD = 1.65 – 2.4V, TA = +25°C)

Symbol	Parameter	Min.	Typ.	Max.	Unit	Condition
tscyc	Serial clock cycle	500	-	-	ns	
tsas	Address setup time	300	-	-	ns	
tsah	Address hold time	300	-	-	ns	
tsds	Data setup time	200	-	-	ns	
tsdh	Data hold time	200	-	-	ns	
tcSS	CS setup time	240	-	-	ns	
tcSH	CS hold time time	120	-	-	ns	
tsHW	Serial clock H pulse width	200	-	-	ns	
tsLW	Serial clock L pulse width	200	-	-	ns	
tR	Rise time	-	-	30	ns	
tF	Fall time	-	-	30	ns	

(VDD = 2.4 - 3.5V, TA = +25°C)

Symbol	Parameter	Min.	Typ.	Max.	Unit	Condition
tscyc	Serial clock cycle	250	-	-	ns	
tsas	Address setup time	150	-	-	ns	
tsah	Address hold time	150	-	-	ns	
tsds	Data setup time	100	-	-	ns	
tsdh	Data hold time	100	-	-	ns	
tcSS	CS setup time	120	-	-	ns	
tcSH	CS hold time time	60	-	-	ns	
tsHW	Serial clock H pulse width	100	-	-	ns	
tsLW	Serial clock L pulse width	100	-	-	ns	
tR	Rise time	-	-	15	ns	
tF	Fall time	-	-	15	ns	

(2).I<sup>2</sup>C interface characteristics



(V<sub>DD</sub> = 1.65 - 3.5V, T<sub>A</sub> = +25°C)

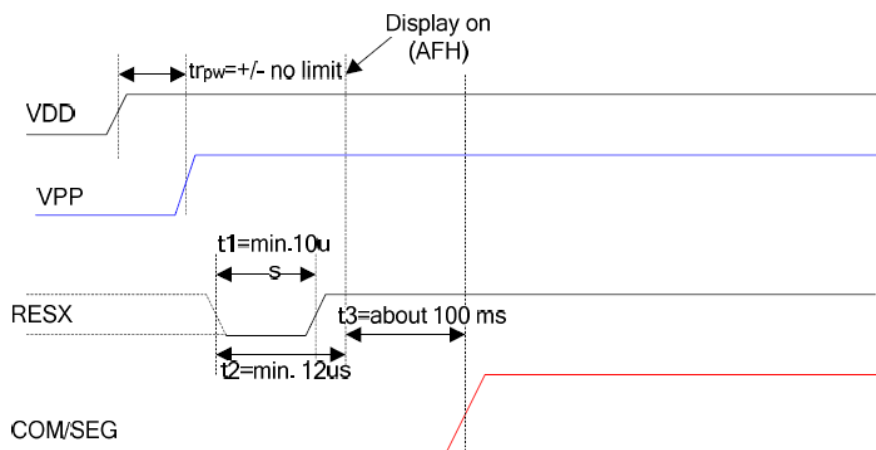
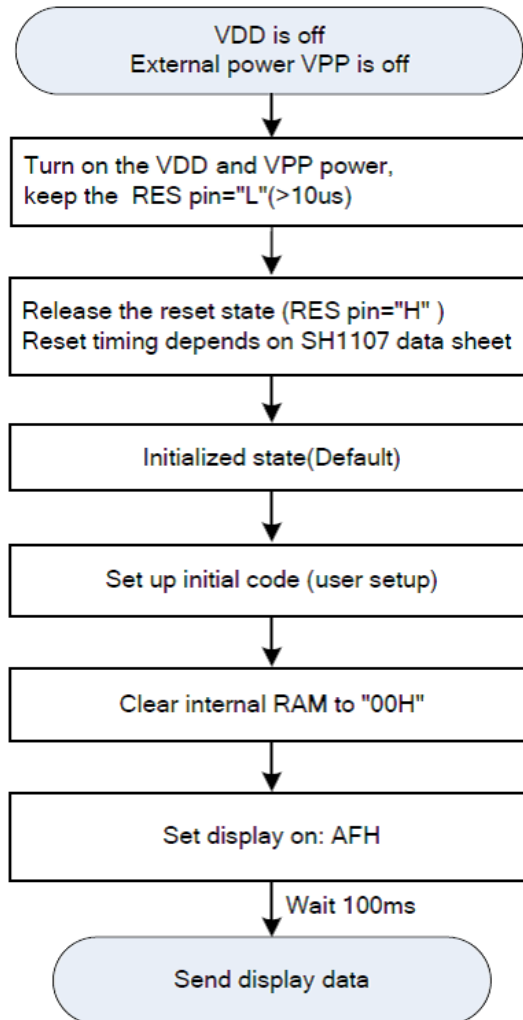
Symbol	Parameter	Min.	Typ.	Max.	Unit	Condition
f <sub>SCL</sub>	SCL clock frequency	DC	-	400	kHz	
T <sub>LOW</sub>	SCL clock Low pulse width	1.3	-	-	μs	
T <sub>HIGH</sub>	SCL clock H pulse width	0.6	-	-	μs	
T <sub>SU:DATA</sub>	data setup time	100	-	-	ns	
T <sub>HD:DATA</sub>	data hold time	0	-	0.9	μs	
T <sub>R</sub>	SCL · SDA rise time	20+0.1Cb	-	300	ns	
T <sub>F</sub>	SCL · SDA fall time	20+0.1Cb	-	300	ns	
C <sub>b</sub>	Capacity load on each bus line	-	-	400	pF	
T <sub>SU:START</sub>	Setup time for re-START	0.6	-	-	μs	
T <sub>HD:START</sub>	START Hold time	0.6	-	-	μs	
T <sub>SU:STOP</sub>	Setup time for STOP	0.6	-	-	μs	
T <sub>BUF</sub>	Bus free times between STOP and START condition	1.3	-	-	μs	

## 10 Functional Specification and Application Circuit

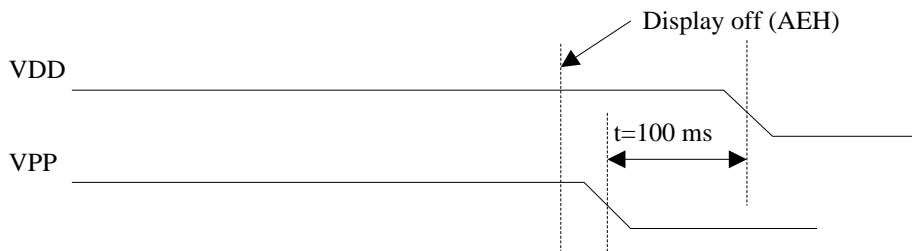
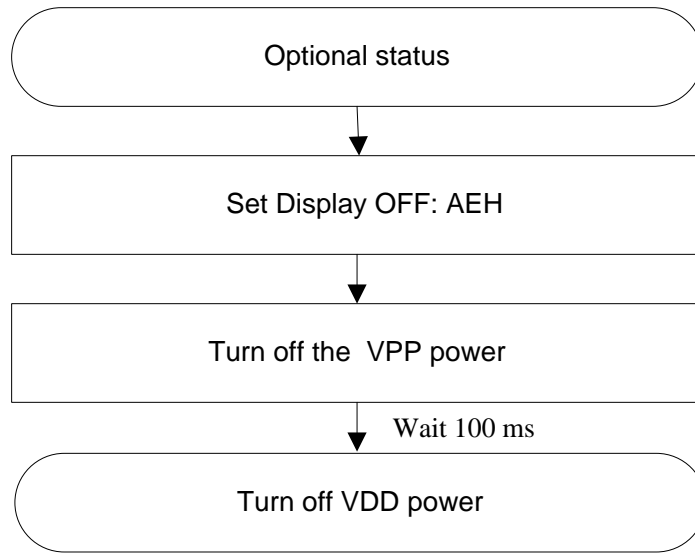
### 10.1 Power ON/OFF Sequence and Initialization

**Power on sequence:**

External power is being used immediately after turning on the power:



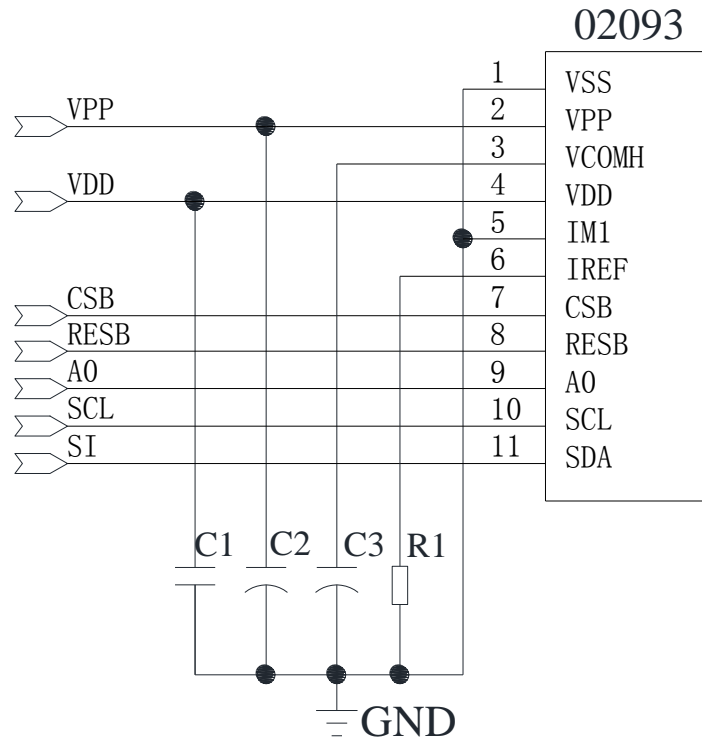
**Power off sequence:**



Note: There will be no damages to the display module if the power sequences are not met.

### 10.2 Application Circuit

(1).The configuration for 4-wire SPI interface mode, external VCC is shown in the following diagram:



Pin connected to MCU interface: SCL,SI,A0, CSB,RESB

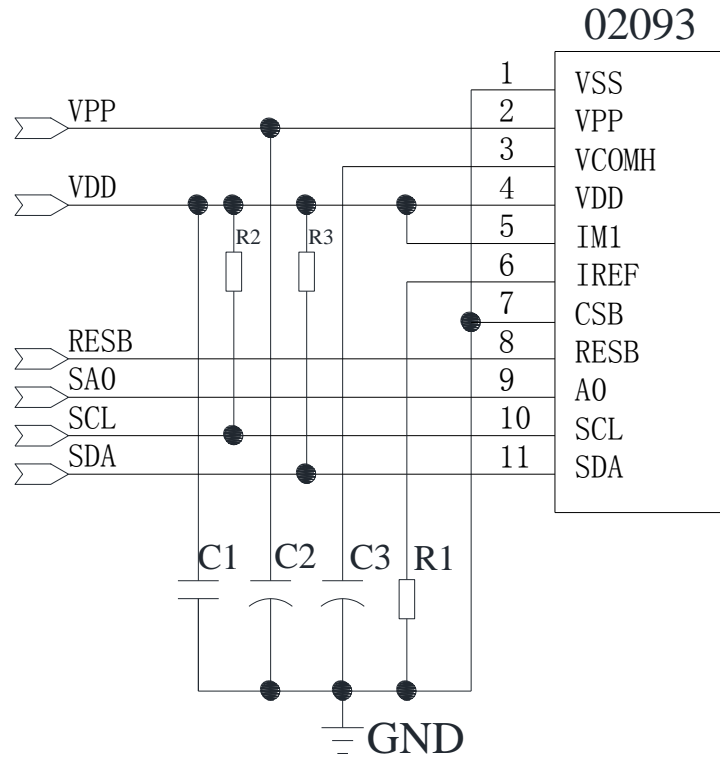
#### Recommended components

C1: 0.1uF-0603-X7R±10%.RoHS

C2, C3: 4.7μF/25V.RoHS (Tantalum Capacitors)

R1: 0603 1/10W +/-5% 390Kohm.RoHS

(2).The configuration for I<sup>2</sup>C interface mode, external VPP is shown in the following diagram:



Pin connected to MCU interface: SCL, SDA, SA0, RESB

**Recommended components**

SA0	I <sup>2</sup> C Address
0	0x78
1	0x7A

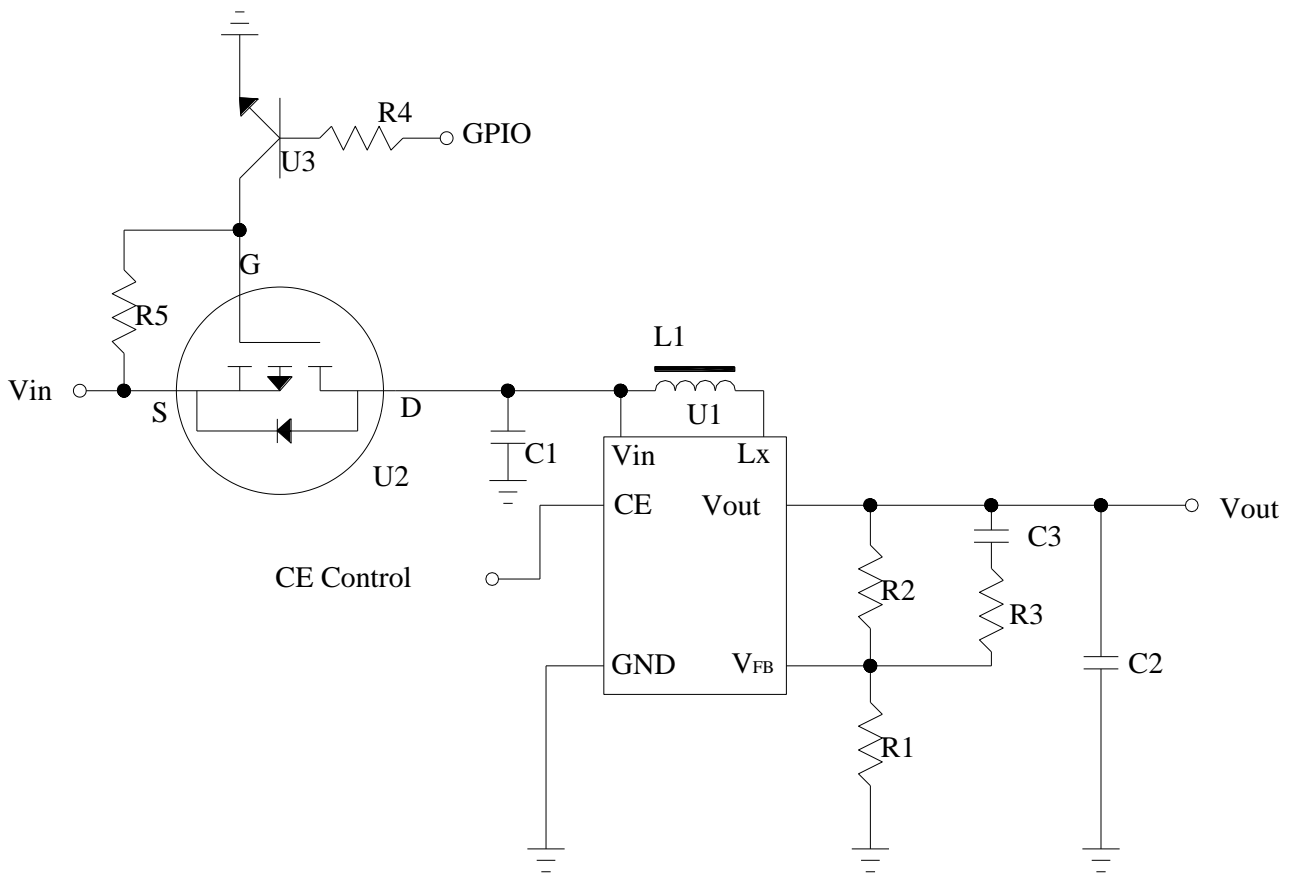
C1: 0.1uF-0603-X7R ±10%.RoHS

C2, C3: 4.7µF/25V.RoHS (Tantalum Capacitors)

R1: 0603 1/10W +/-5% 390Kohm.RoHS

R2, R3: 0603 1/10W +/-5% 10Kohm.RoHS

### 10.3 External DC-DC application circuit



#### Recommend component

The C1	: 1 uF-0603-X7R±10%.RoHS
The C2	: 1 uF-0603-X7R±10%.RoHS
The C3	: 220pF-0603-X7R±10%.RoHS
The R1	: 0603 1/10W +/-5% 10Kohm.RoHS
The R2	: 0603 1/10W +/-5% 100Kohm.RoHS
The R3	: 0603 1/10W +/-5% 2Kohm.RoHS
The R4	: 0603 1/10W +/-5% 1Kohm.RoHS
The R5	: 0603 1/10W +/-5% 10Kohm.RoHS
The L1	: 22uH
The U1	: R1200
The U2	: FDN338P
The U3	: 8050



## 10.4 Display Control Instruction

Refer to SH1107 IC Specification.

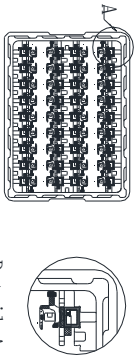
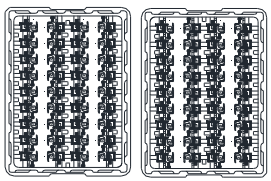
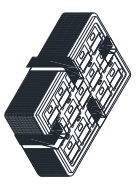
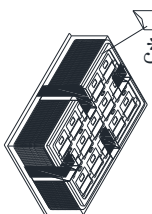
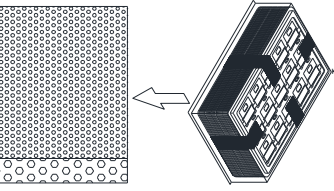
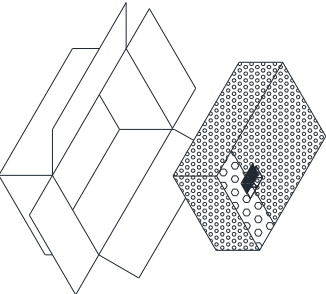
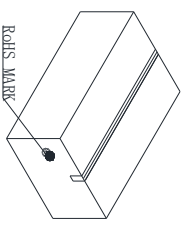
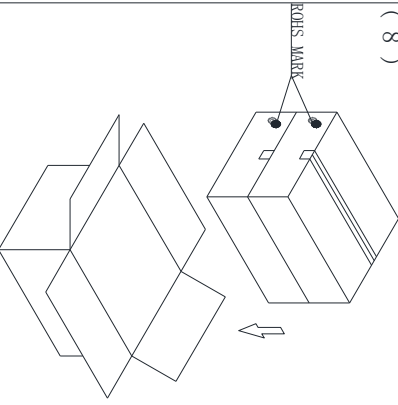
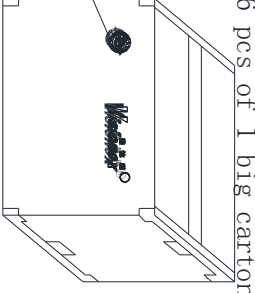

## 10.5 Recommended Software Initialization

In order to ensure the reliability and stability of the module, the module must initialized use the following code, Malfunctioning of the module may occur and the reliability of the module may deteriorate if the module is used beyond the initialize code.

```
void init_program()
{
    write_c(0xae); //Display OFF
    write_c(0xd5); // Set Dclk
    write_c(0x50);
    write_c(0x20); // Set row address
    write_c(0x81); // Set contrast control
    write_c(0xc0);
    write_c(0xa0); // Segment remap
    write_c(0xa4); // Set Entire Display ON
    write_c(0xa6); // Normal display
    write_c(0xa8); //set duty
    write_c(0x6f);
    write_c(0xdc); //set display start line
    write_c(0x00);
    write_c(0xd3); //set offset
    write_c(0x78);
    write_c(0xad); // Set external VPP
    write_c(0x80);
    write_c(0xc0); // Set Common scan direction
    write_c(0xd9); // Set phase length
    write_c(0x44);
    write_c(0xdb); // Set Vcomh voltage
    write_c(0x30);
    clear_screen();
    write_c(0xaf); //Display ON
}
```

### 11 Package Specification

Controlled Seal  
Packing Process(1)~(9)

<p>( 1 ) Tray Type:02091-MT5-A</p> 	<p>( 2 )</p>  <p>normal ① 180° revers ②</p> <p>TRAY</p>	<p>( 3 ) order ① ② ③ ④</p> <p>fix trays with tape 1188 pcs of 1 small carton 1 tray contain 54 pcs 22 contained trays, 1 empty tray</p> 	<p>( 4 ) Use vacuum bag to package the tray and add 5 bags of desiccant into the vacuum bag *5</p> 
<p>( 5 ) After tray be packaged, wrap the package in a bubble bag and seal with scotch tape.</p> 	<p>( 6 )</p> 	<p>( 7 )</p> <p>small carton package L390*W290*L120 mm</p> 	<p>( 8 )</p>  <p>2 small cartons in 1 big carton</p>
<p>( 9 ) 44 contained trays, 2 empty trays, Package quantity products: 2376 pcs of 1 big carton</p>  <p>Package finished L410*W310*L272 mm</p>	<p>NOTE:1、The inner carton and master carton must be sealed with adhesive tape.</p> <p>2、Fill up the gap with tray.</p> <p>3、If the customer has special needs with the RoHS making, the inner carton and master carton need adhesive new RoHS marking at .</p> <p>4、Packaging materials are not recommended for recycling.</p>		

## 12 Reliability

### 12.1 Reliability Test

NO.	ITEM	CONDITION	QUANTITY
1	High Temperature (Non-operation)	85°C,240hrs	4
2	Low Temperature (Non-operation)	-40°C,240hrs	4
3	High Temperature (Operation)	70°C,240hrs	4
4	Low Temperature (Operation)	-40°C,240hrs	4
5	High Temperature / High Humidity(Operation)	60°C,90%RH,240hrs	4
6	Thermal shock (Non-operation)	-40°C~85°C(-40°C /30min;transit/3min;85/30min;transit/3min) 1cycle: 66min,30cycles	4
7	ESD Air discharge	±8kV, Test 9 point; Each point discharge 10 times. Time interval is less than 1 second.	4

#### Test and measurement conditions

- All measurements shall not be started until the specimens attain to temperature stability, the stable time is at least 15 minutes.
- The degradation of polarizer is ignored for item 5.
- The tolerance of temperature is  $\pm 3^{\circ}\text{C}$ , and the tolerance of relative humidity is  $\pm 5\%$ .

#### Evaluation criteria

- The function test is OK.
- No observable defects.
- Luminance:  $\geq 50\%$  of initial value.
- Current consumption: within  $\pm 50\%$  of initial value.

### 12.2 Lifetime

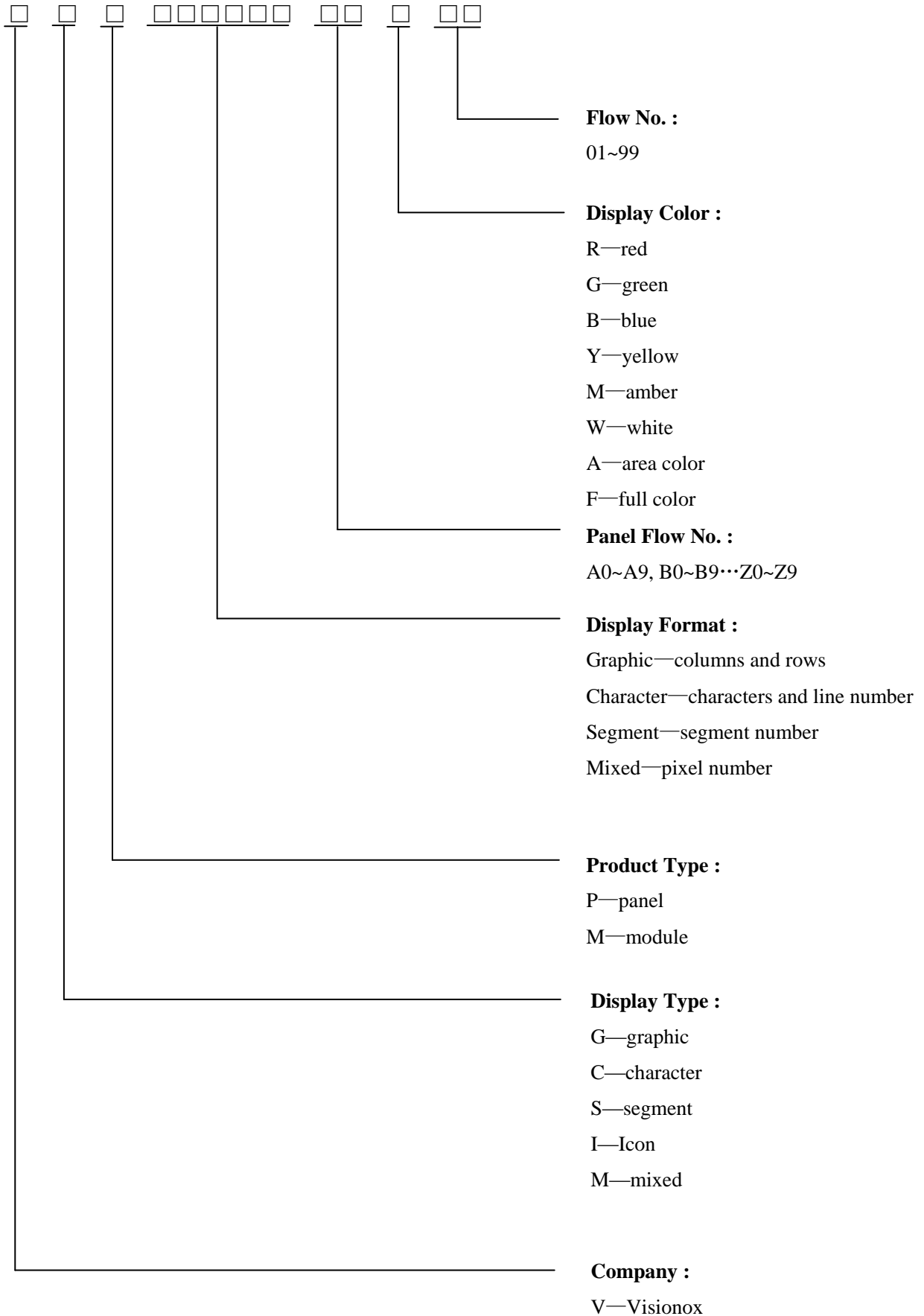
End of lifetime is specified as 50% of initial brightness and the test pattern at operating condition is 50% alternating checkerboard.

ITEM	MIN	MAX	UNIT	CONDITION
Operation Life Time	8,000	-	hrs	200 cd/m <sup>2</sup> , 50% alternating checkerboard, 22±3 °C, 55±15% RH

### 12.3 Failure Check Standard

After the completion of the described reliability test, the samples were left at room temperature for 2 hrs prior to conducting the failure test at 22±3 °C; 55±15% RH.

**13 Illustration of OLED Product Name**



## 14 Outgoing Quality Control Specifications

### 14.1 Sampling Method

- (1) GB/T 2828.1/ISO2859-1: inspection level II , normal inspection, single sample inspection
- (2) AQL: Major 0.65; Minor 1.0

### 14.2 Inspection Conditions

The environmental conditions for test and measurement are performed as follows.

Temperature:  $22 \pm 3^{\circ}\text{C}$

Humidity:  $55 \pm 15\% \text{R.H}$

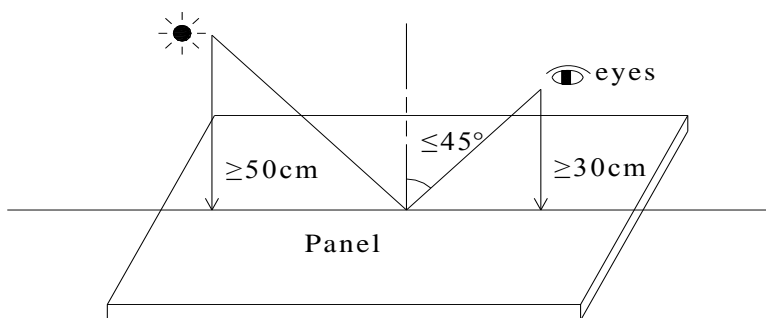
Fluorescent Lamp: 30W

Distance between the Panel & Lamp:  $\geq 50\text{cm}$

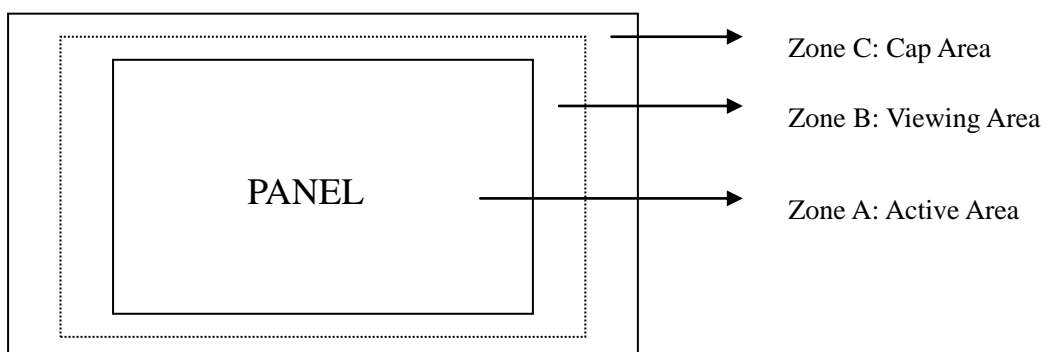
Distance between the Panel & Eyes:  $\geq 30\text{cm}$

Viewing angle from the vertical in each direction:  $\leq 45^{\circ}$

(See the sketch below)

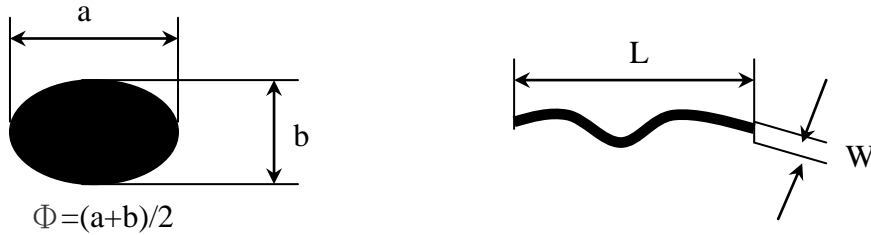


### 14.3 Quality Assurance Zones



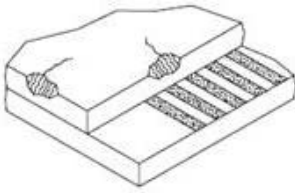
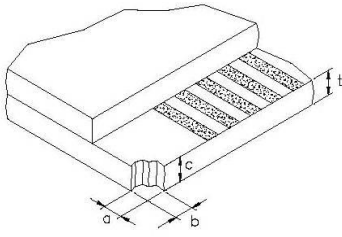
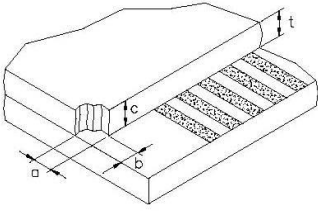
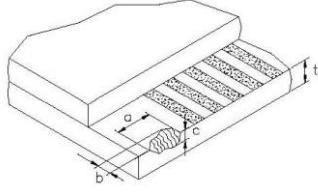
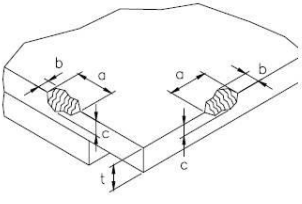
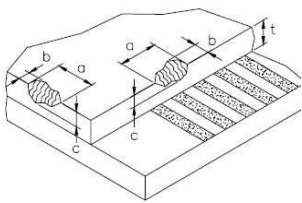
### 14.4 Inspection Standard

Definition of  $\Phi$ &L&W (Unit: mm)



#### I . Appearance Defects

NO.	ITEM	CRITERIA	CLASSIFICATION																	
1	Polarizer Black or White spot, Dirty spot, Foreign matter, Dent on the polarizer	<table border="1"> <thead> <tr> <th rowspan="2">Average Diameter (mm)</th> <th colspan="2">Acceptable Number</th> </tr> <tr> <th>Zone A,B</th> <th>Zone C</th> </tr> </thead> <tbody> <tr> <td><math>\Phi \leq 0.15</math></td> <td colspan="2">Ignore</td> </tr> <tr> <td><math>0.15 &lt; \Phi \leq 0.30</math></td> <td>3</td> <td rowspan="2">Ignore</td> </tr> <tr> <td><math>\Phi &gt; 0.30</math></td> <td>0</td> </tr> </tbody> </table>	Average Diameter (mm)	Acceptable Number		Zone A,B	Zone C	$\Phi \leq 0.15$	Ignore		$0.15 < \Phi \leq 0.30$	3	Ignore	$\Phi > 0.30$	0	Minor				
Average Diameter (mm)	Acceptable Number																			
	Zone A,B	Zone C																		
$\Phi \leq 0.15$	Ignore																			
$0.15 < \Phi \leq 0.30$	3	Ignore																		
$\Phi > 0.30$	0																			
2	Scratch/line on the glass/Polarizer	<table border="1"> <thead> <tr> <th rowspan="2">Width (mm)</th> <th rowspan="2">Length (mm)</th> <th colspan="2">Acceptable Number</th> </tr> <tr> <th>Zone A,B</th> <th>Zone C</th> </tr> </thead> <tbody> <tr> <td><math>W \leq 0.05</math></td> <td>---</td> <td colspan="2">Ignore</td> </tr> <tr> <td><math>0.05 &lt; W \leq 0.1</math></td> <td><math>L \leq 5.0</math></td> <td>3</td> <td rowspan="2">Ignore</td> </tr> <tr> <td><math>W &gt; 0.1</math></td> <td>---</td> <td>0</td> </tr> </tbody> </table>	Width (mm)	Length (mm)	Acceptable Number		Zone A,B	Zone C	$W \leq 0.05$	---	Ignore		$0.05 < W \leq 0.1$	$L \leq 5.0$	3	Ignore	$W > 0.1$	---	0	Minor
Width (mm)	Length (mm)	Acceptable Number																		
		Zone A,B	Zone C																	
$W \leq 0.05$	---	Ignore																		
$0.05 < W \leq 0.1$	$L \leq 5.0$	3	Ignore																	
$W > 0.1$	---	0																		
3	Polarizer Bubble	<table border="1"> <thead> <tr> <th rowspan="2">Average Diameter (mm)</th> <th colspan="2">Acceptable Number</th> </tr> <tr> <th>Zone A,B</th> <th>Zone C</th> </tr> </thead> <tbody> <tr> <td><math>\Phi &gt; 0.5</math></td> <td>0</td> <td rowspan="3">Ignore</td> </tr> <tr> <td><math>0.2 &lt; \Phi \leq 0.5</math></td> <td>3</td> </tr> <tr> <td><math>\Phi \leq 0.2</math></td> <td>Ignore</td> </tr> </tbody> </table>	Average Diameter (mm)	Acceptable Number		Zone A,B	Zone C	$\Phi > 0.5$	0	Ignore	$0.2 < \Phi \leq 0.5$	3	$\Phi \leq 0.2$	Ignore	Minor					
Average Diameter (mm)	Acceptable Number																			
	Zone A,B	Zone C																		
$\Phi > 0.5$	0	Ignore																		
$0.2 < \Phi \leq 0.5$	3																			
$\Phi \leq 0.2$	Ignore																			
4	Any Dirt & Scratch on Polarizer's Protective Film	Ignore for not affect the polarizer.	Minor																	
5	Any Dirt on Cap Glass	Inside the Cap, Ignore the dirt without moving	Minor																	

6	Glass Crack	 <p>Propagation crack is not acceptable.</p>	Major
7	Corner Chip	 <p>t= Glass thickness Accept <math>a \leq 2.0\text{mm}</math> or <math>b \leq 2.0\text{mm}</math>, <math>c \leq t</math></p>	Minor
8	Corner Chip on Cap Glass	 <p>t= Glass thickness Accept <math>a \leq 1.5\text{mm}</math> or <math>b \leq 1.5\text{mm}</math>, <math>c \leq t</math></p>	Minor
9	Chip on Contact Pad	 <p>t= Glass thickness Accept <math>a \leq 3.0\text{mm}</math> or <math>b \leq 0.8\text{mm}</math>, <math>c \leq t</math> (on the contact pin) <math>a \leq 3.0\text{mm}</math> or <math>b \leq 2.0\text{mm}</math>, <math>c \leq t</math> (outside of the contact pin)</p>	Minor
10	Chip on Face of Display	 <p>t= Glass thickness Accept <math>a \leq 1.5\text{mm}</math> or <math>b \leq 1.5\text{mm}</math>, <math>c \leq t</math></p>	Minor
11	Chip on Cap Glass	 <p>t= Glass thickness Accept <math>a \leq 3.0\text{mm}</math> or <math>b \leq 3.0\text{mm}</math>, <math>c \leq t/2</math> <math>a \leq 1.5\text{mm}</math> or <math>b \leq 1.5\text{mm}</math>, <math>t/2 \leq c \leq t</math></p>	Minor
12	Stain on Surface	Stain removable by soft cloth or air blow is acceptable.	Minor
13	TCP/FPC Damage	<p>(1) Crack, deep scratch, deep hole and deep pressure mark on the TCP/FPC are not acceptable.</p> <p>(2) Terminal lead twisted or broken is not allowable.</p> <p>(3) Copper exposed is not allowed by naked eye inspection.</p>	Minor
14	Dimension Unconformity	Checking by mechanical drawing.	Major

**II. Displaying Defects**

NO.	ITEM	CRITERIA	CLASSIFICATION															
1	Black/White spot Dirty spot Foreign matter	<table border="1"> <thead> <tr> <th data-bbox="517 371 794 439">Average Diameter (mm)</th> <th colspan="2" data-bbox="794 371 1155 405">Pieces Permitted</th> </tr> <tr> <td data-bbox="517 439 794 472"><math>\Phi \leq 0.10</math></td> <td data-bbox="794 405 979 439">Zone A,B</td> <td data-bbox="979 405 1155 439">Zone C</td> </tr> <tr> <td data-bbox="517 472 794 506"><math>0.10 &lt; \Phi \leq 0.20</math></td> <td colspan="2" data-bbox="794 439 1155 472">Ignore</td> </tr> <tr> <td data-bbox="517 506 794 539"><math>\Phi &gt; 0.20</math></td> <td data-bbox="794 472 979 506">3</td> <td data-bbox="979 472 1155 506">Ignore</td> </tr> <tr> <td data-bbox="517 539 794 568"><math>\Phi &gt; 0.20</math></td> <td colspan="2" data-bbox="794 506 1155 539">0</td> </tr> </thead> </table>	Average Diameter (mm)	Pieces Permitted		$\Phi \leq 0.10$	Zone A,B	Zone C	$0.10 < \Phi \leq 0.20$	Ignore		$\Phi > 0.20$	3	Ignore	$\Phi > 0.20$	0		Minor
Average Diameter (mm)	Pieces Permitted																	
$\Phi \leq 0.10$	Zone A,B	Zone C																
$0.10 < \Phi \leq 0.20$	Ignore																	
$\Phi > 0.20$	3	Ignore																
$\Phi > 0.20$	0																	
2	No Display	Not allowable.	Major															
3	Irregular Display	Not allowable.	Major															
4	Missing Line (row or column)	Not allowable.	Major															
5	Short	Not allowable.	Major															
6	Flicker	Not allowable.	Major															
7	Abnormal Color	Refer to the SPEC.	Major															
8	Luminance NG	Refer to the SPEC.	Major															
9	Over Current	Refer to the SPEC.	Major															



## 15 Precautions for operation and Storage

### 15.1 Precautions for Operation

- (1) Since OLED panel is made of glass, do not apply any mechanical shock or impact or excessive force to it when installing the OLED module. Any strong mechanical impact due to falling dropping etc. may cause damage (breakage or cracking).
- (2) The polarizer on the OLED surface is made of soft material and is easily scratched. Please take most care when handing. When the surface of the polarizer of OLED Module is contaminated, please wipe it off gently by using moisten soft cloth with isopropyl alcohol, do not use water, ketone or aromatics. If there is saliva or water on the OLED surface, please wipe it off immediately.
- (3) When handling OLED module, please be sure that the body and the tools are properly grounded. And do not touch I/O pins with bare hands or contaminate I/O pins, it will cause disconnection or defective insulation of terminals.
- (4) Do not attempt to disassemble or process the OLED module.
- (5) OLED module should be used under recommended operating conditions shown in the specification. Since the higher voltage leads to the shorter lifetime, be sure to use the specified operating voltage.
- (6) Foggy dew, moisture condensation or water droplets deposited on surface and contact terminals will cause polarizer stain or damage, the deteriorated display quality and electrochemical reaction then leads to shorter life time and permanent damage to the module probably. Please pay attention to the environmental temperature and humidity.
- (7) An afterimage is created by the difference in brightness between unused dot and the fixed dot, according to the decrease of brightness of the emitting time. Therefore, to avoid having an afterimage, the full set should be thoroughly used instead of using a fixed dot. When the fixed dot emits, an afterimage can be created.
- (8) Flicker could be come out at full on display. And it disappears when frame frequency increase, but brightness decreases too.

### 15.2 Soldering

- (1) Soldering should be performed only on the I/O terminals.
- (2) Use soldering irons with proper grounding and no leakage.
- (3) Iron: The temperature setting of electric iron is 350°C, but we suggest that during soldering, the temperature of iron tip should be no higher than 330°C and soldering be finished within 3~4 seconds.

### 15.3 Precautions for Storage

- (1) Please store OLED module in a dark place. Avoid exposure to sunlight, the light of fluorescent lamp or any ultraviolet ray.
- (2) Keep the environment temperature between 10°C and 35°C and the relative humidity less than 70%. Avoid high temperature and high humidity.
- (3) Keep the OLED modules stored in the container when shipped from supplier before using them is recommended.
- (4) Do not leave any article on the OLED module surface for an extended period of time.

### 15.4 Warranty period

Visionox warrants for a period of 12 months from the shipping date when stored or used under normal condition. In addition to the failure and quality problems caused by man-made damage and force majeure, we promise to provide maintenance and replacement free of charge during the warranty period. If the warranty period has been exceeded, we need to collect the staff's travel expenses, materials and other related costs.